

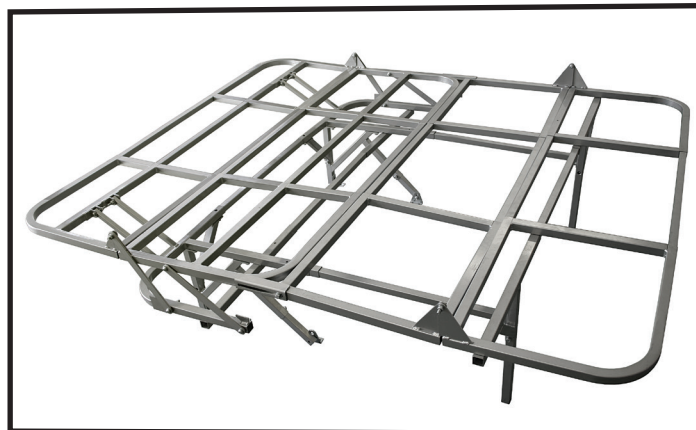
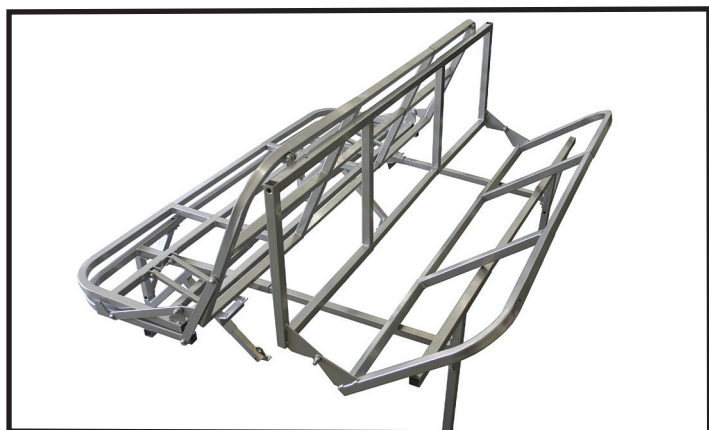


JK part numbers:
 J18932
 OEM part number:
 Not applicable
 Page 1 of 6

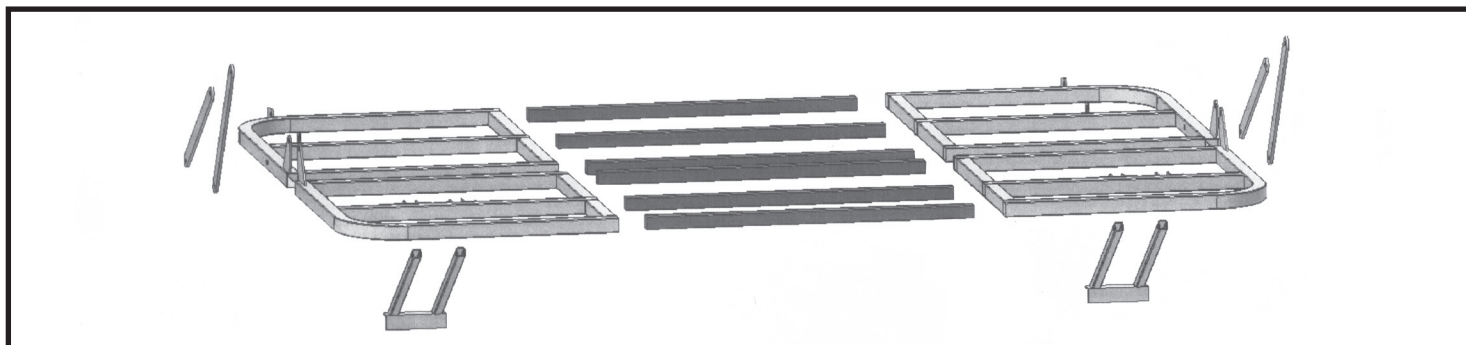
Rock and Roll Bed for Front Engined Vans

Thank you for purchasing our steel rock and roll bed kit. This bed fits all front engined VW Transporters from 1990 to 1992 and allows you to construct a bed from 1 to 1.5metres to suit your particular interior. You can make it a full width bed, 3/4 width bed or anything in between.

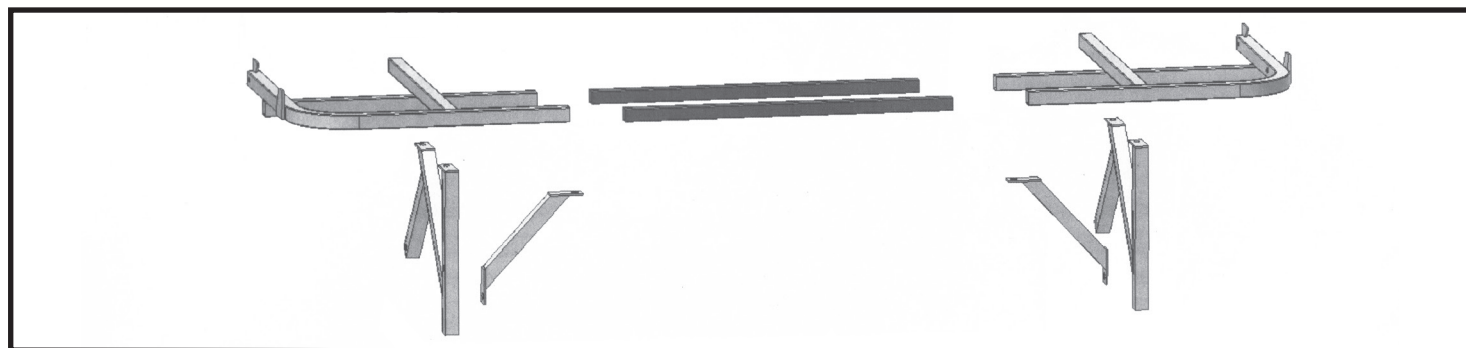
This product is suitable for:
 T4 1990-2003
 T5 2003 - 2012



The kit consists of three main sections (Two outer sections and one centre section).



The central bars (shown above and below in black) need to be shortened to a width of your choosing, alternatively you can leave them at their current length, if you wish to make a full width bed.

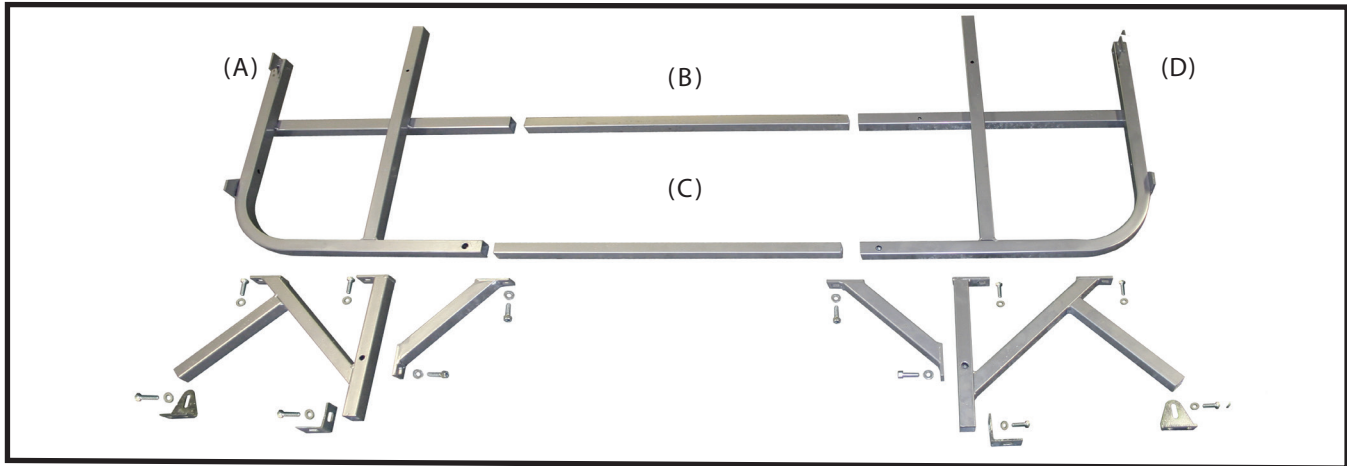


www.justkampers.com
 01256 862288

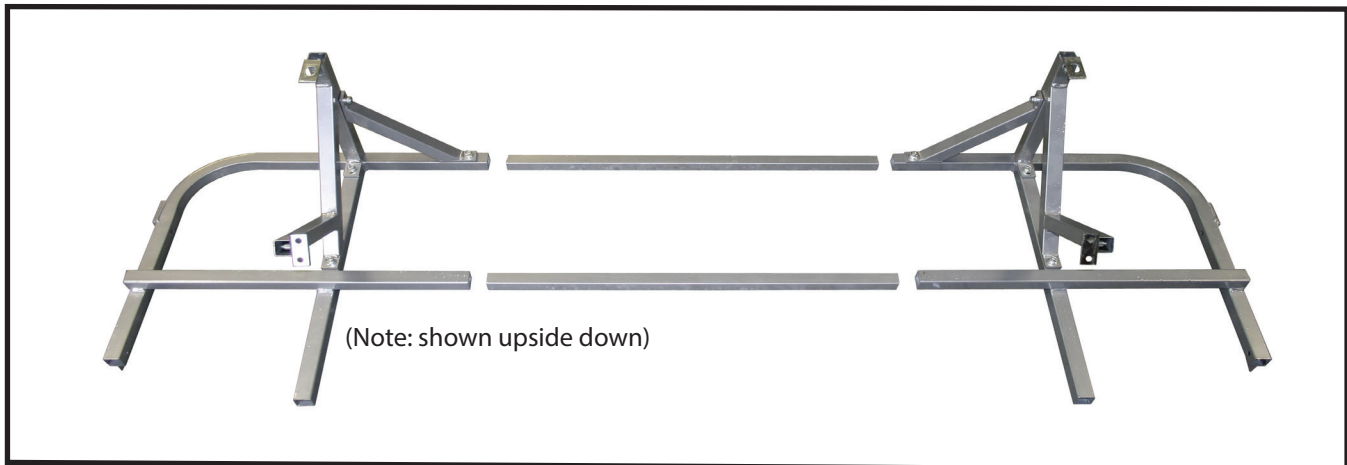
Just Kampers, Unit 1 Stapeley Manor, Long Lane, Odiham, Hants. RG29 1JE
 NB. Please note that whilst every attempt is made to ensure that these instructions are as accurate and clear as possible, we cannot be held responsible for misinterpretation of these instructions or for any subsequent accident or damage caused through mis-fitted parts.



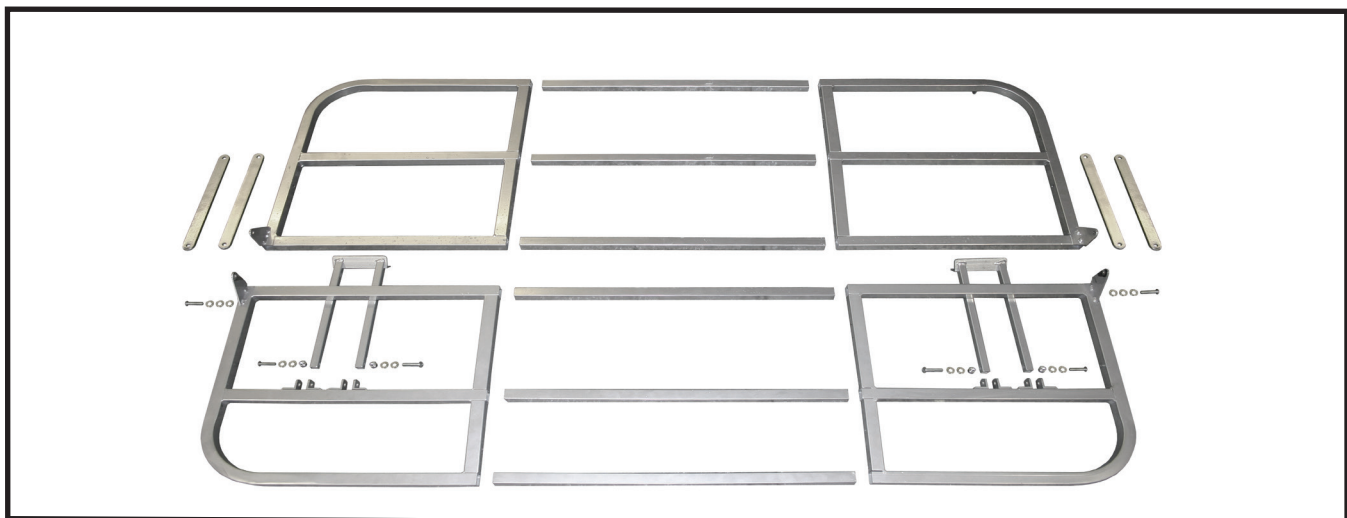
1. First job is to decide on the width of your bed. Piece together parts (A) (B) (C) and (D) below and offer them up to your van. Once you have decided on the width of your bed, mark the central bars (B) and (C) and cut them down to the required length. When this is complete you can then make up the seat base. This consists of the parts layed out below.



2. Using the bolts and washers supplied, bolt the above items together and then add the floor mounting brackets as shown below.



3. Next, bolt the seat and back rest together using the parts below.



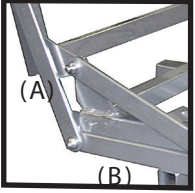
www.justkampers.com
01256 862288

Just Kampers, Unit 1 Stapeley Manor, Long Lane, Odiham, Hants. RG29 1JE
NB. Please note that whilst every attempt is made to ensure that these instructions are as accurate and clear as possible, we cannot be held responsible for misinterpretation of these instructions or for any subsequent accident or damage caused through mis-fitted parts.





Washers must be placed between all the brackets to insure smooth operation.

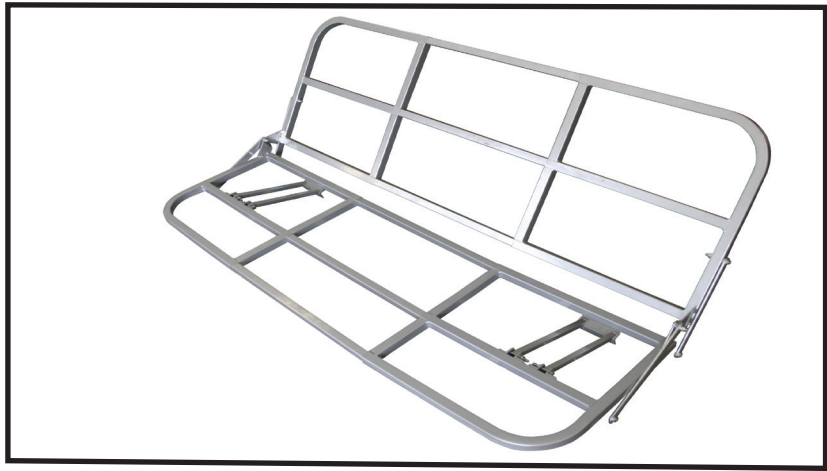


Note: Rod (A) has holes 1mm further apart than rod (B).



Strengthening brackets must be fitted with welds on top.

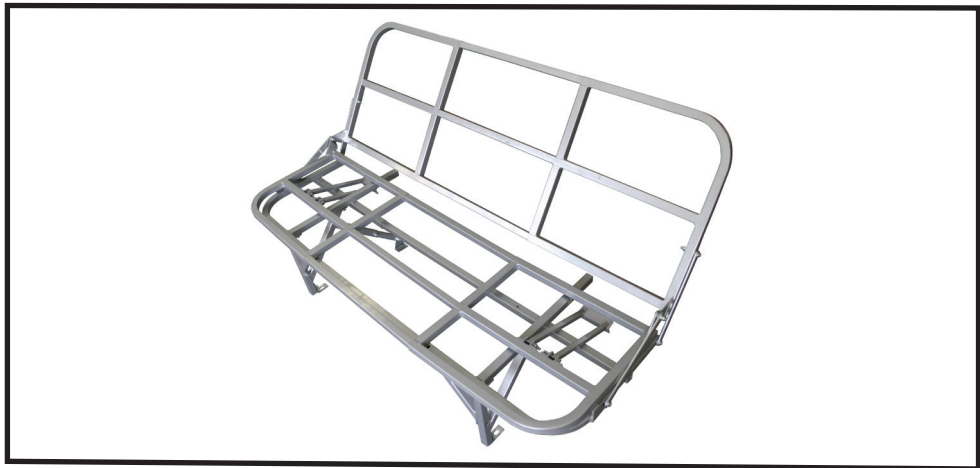
4. When bolted together, you should have something resembling this.



5. This seat and the base you made earlier can now be joined together. This is done by sliding the seat frame over the triangular bracket on the seat base (see below). The main part of the bed is now complete.



Seat simply slides over the triangular bracket on the seat base.



6. Next, lengthen the rear legs with these extenders (fig A). There are two extenders, one for each rear leg and these just slide into the existing tubing (fig B) and then clamp in place using a bolt and washer.



Fig (A)



Fig (B)



www.justkampers.com
01256 862288

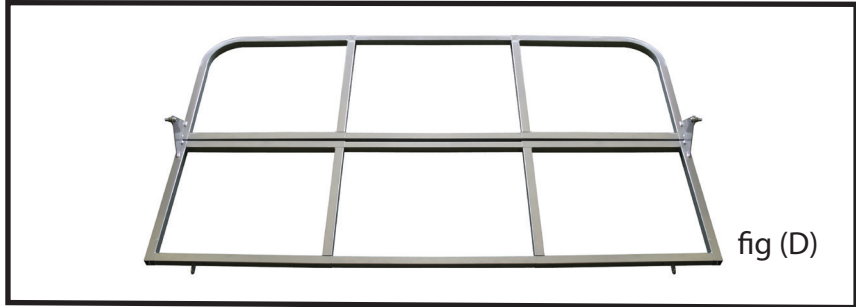
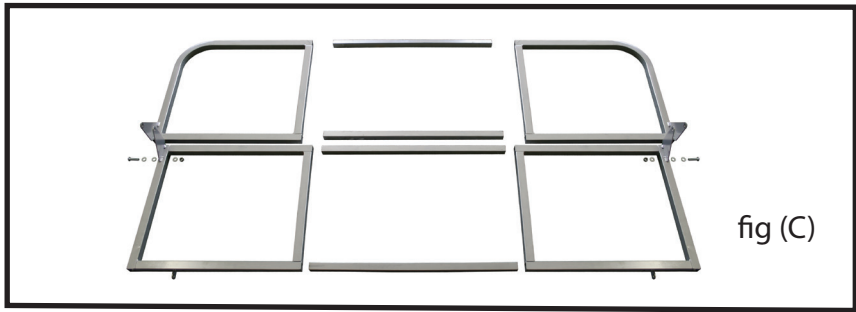
Just Kampers, Unit 1 Stapeley Manor, Long Lane, Odiham, Hants. RG29 1JE
NB. Please note that whilst every attempt is made to ensure that these instructions are as accurate and clear as possible, we cannot be held responsible for misinterpretation of these instructions or for any subsequent accident or damage caused through mis-fitted parts.





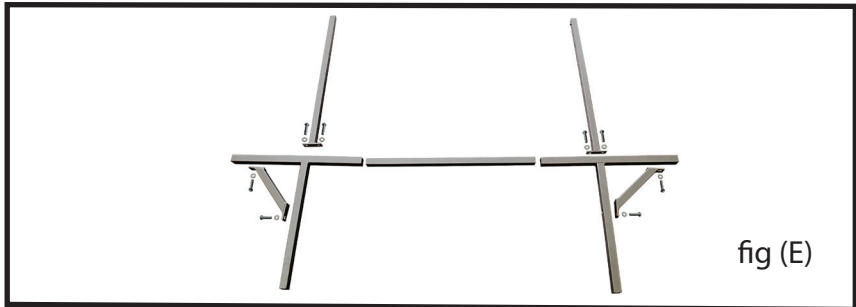
7. The rear portion of the bed is made up of parts in (fig C)

Cut the central bars down to the desired width, then bolt the unit together as seen in (fig D)

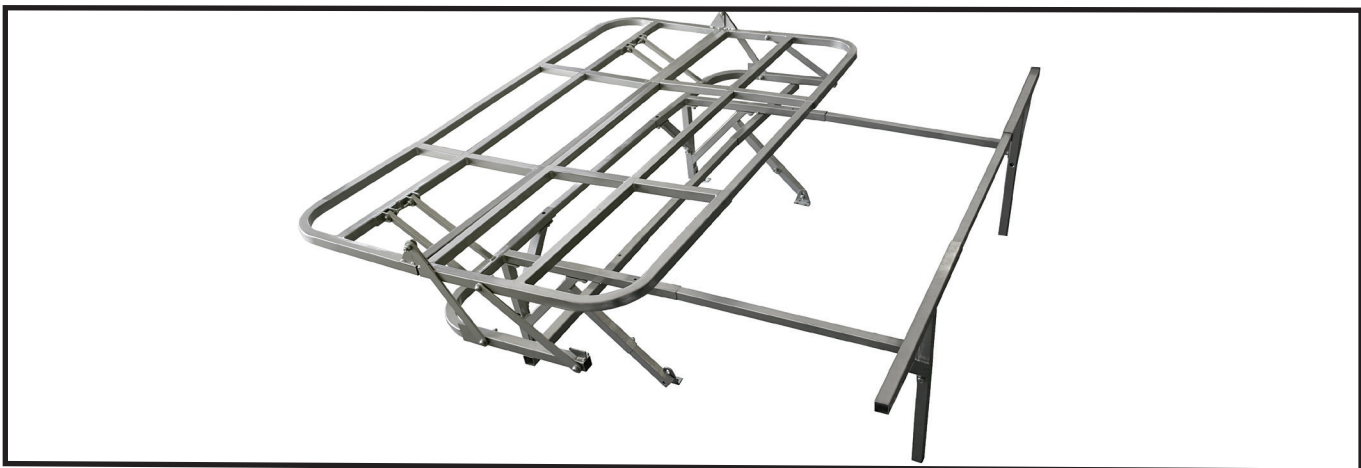


8. The legs for the rear portion of the bed are constructed using parts (shown in fig E).

Once again, cut the centre bar to the desired width and bolt it together so that it resembles (fig F).



9. These legs now slide into the front portion of the bed until the spring clips snap into place. Then the top can be added.



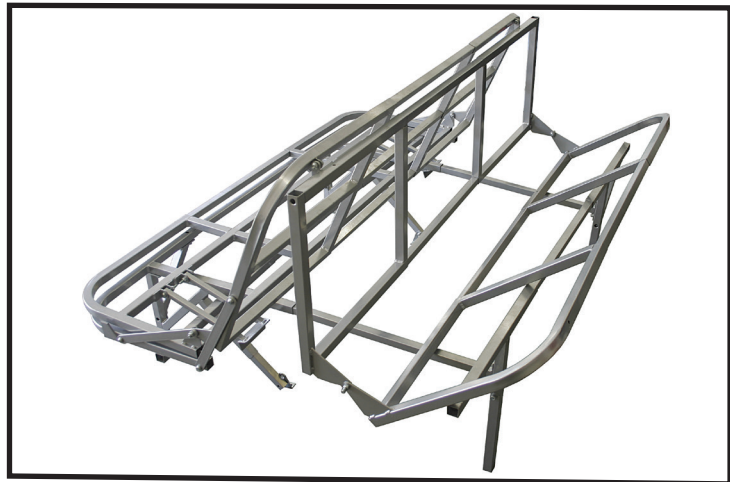
www.justkampers.com
01256 862288

Just Kampers, Unit 1 Stapeley Manor, Long Lane, Odiham, Hants. RG29 1JE
NB. Please note that whilst every attempt is made to ensure that these instructions are as accurate and clear as possible, we cannot be held responsible for misinterpretation of these instructions or for any subsequent accident or damage caused through mis-fitted parts.

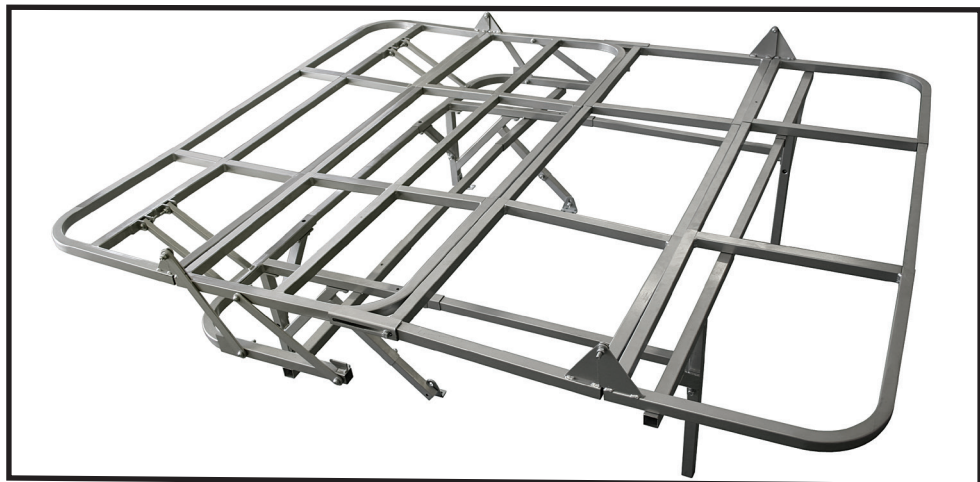
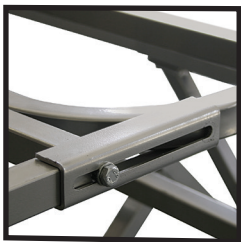




10. The front and rear portions of the bed are then bolted together using a pair of bolts, making sure you insert a washer between the two brackets.



11. Finally the locking plates can be bolted on each side. When you slide these along the frame on each side, it is locked into the bed position.



12. Now the bed frame is complete it needs to be covered and due to the strength of the frame only thin MDF or plywood is required. Cut a thin sheet of wood or MDF to the correct shape and simply screw it over the frame, followed by foam and your choice of material.

The base of the seat could also be 'boxed in' with wood or MDF making a useful storage area under the seat.

Caution: If you are fitting rear seatbelts, make sure that both the seat foam and fabric are securely fitted to the frame, otherwise the occupants can slide under their seatbelts causing possible injury. (Poppers are ideal for fixing the seat covers to the frame as they still allow the seat fabric to be removed for washing).



www.justkampers.com
01256 862288

Just Kampers, Unit 1 Stapeley Manor, Long Lane, Odiham, Hants. RG29 1JE

NB. Please note that whilst every attempt is made to ensure that these instructions are as accurate and clear as possible, we cannot be held responsible for misinterpretation of these instructions or for any subsequent accident or damage caused through mis-fitted parts.



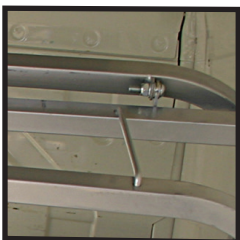
13. Fitting the bed into a front engined van

To install the rock and roll bed into a front engined van, firstly place the item (in the sleeping position) as far back as possible, making sure that the bed doesn't foul any light units, hinges or tailgate when it is closed. Once this is done you can mark, drill and bolt down the four feet at the front of the bed.

Caution: Take care when drilling to avoid damaging any wiring or other hidden items.



14. When placed in the seating position, the rear base can be slid forward by simply depressing the two spring clips. The rear part of the bed then folds up and is held in place by the two rods included in the kit.



www.justkampers.com
01256 862288

Just Kampers, Unit 1 Stapeley Manor, Long Lane, Odiham, Hants. RG29 1JE

NB. Please note that whilst every attempt is made to ensure that these instructions are as accurate and clear as possible, we cannot be held responsible for misinterpretation of these instructions or for any subsequent accident or damage caused through mis-fitted parts.