

## JK SPARE WHEEL MOUNT

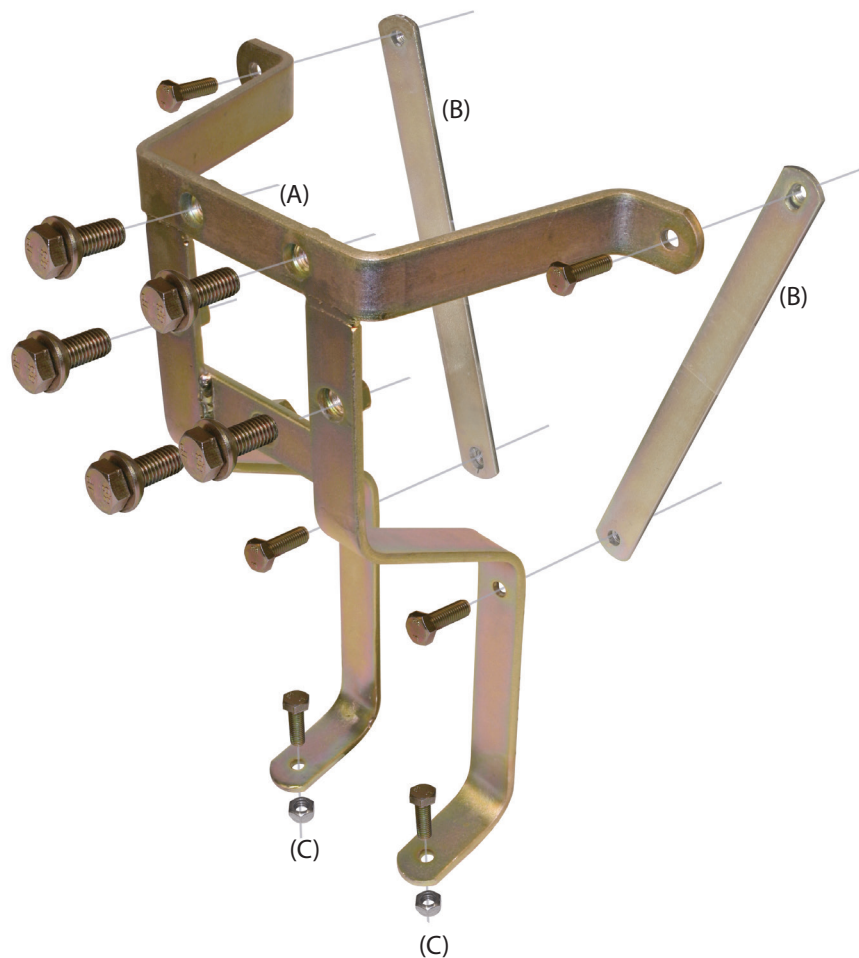
### ALL T2 MODELS AUGUST 1971 TO 1979

JK part numbers: J18871, J18870

#### FITTING GUIDE

The main section (A) bolts centrally to your vans front panel and to the top of the bumper. The 2 bars (B), fit on the inside of the front panel to provide extra strength, and stop the panel from flexing. The bottom 2 bolts fit through the top of the bumper. (The two feet (C) sit on top of your bumper, so the bumper takes the weight of the spare wheel).

Hint: Placing masking tape on the front panel and bumper beforehand will make measuring, marking and drilling easier, and will help avoid scratches.



*N.B. Whilst every attempt is made to ensure that these instructions are as accurate and clear as possible, we cannot be held responsible for misinterpretation of these instructions or for any subsequent accident or damage caused through mis-fitted parts.*