

ROCK AND ROLL HINGES

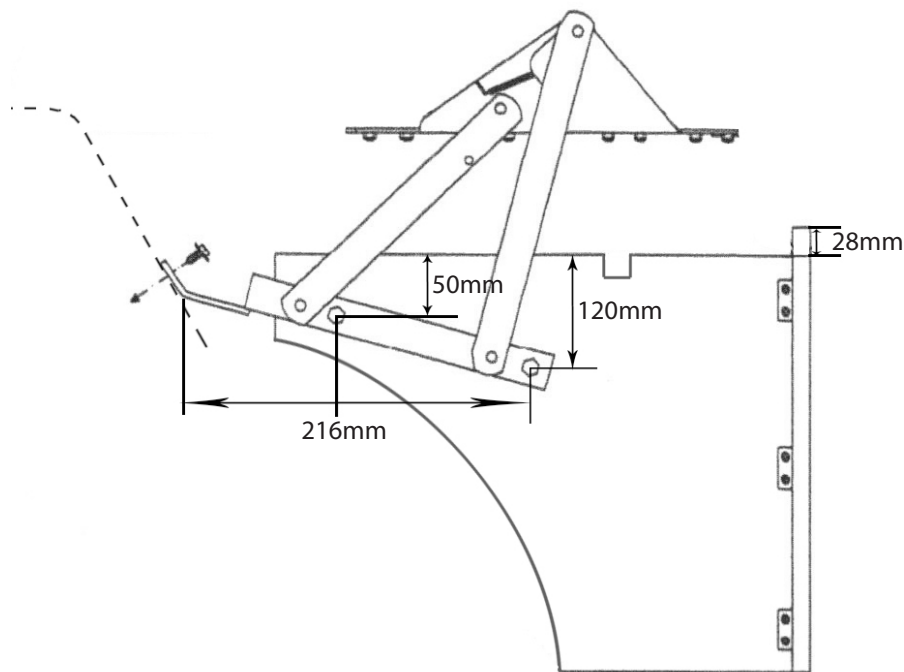
FITS ALL REAR ENGINED TRANSPORTERS FROM 1955

JK part numbers: J11561

FITTING GUIDE

Use the measurements shown for the correct fitting of your hinges. Make sure that measurements allow for the seat back to be rolled into the bed position.

The sized drawings are given as a starting guide. There are many variations in the way the hinge set can be installed to suit the intended usage.



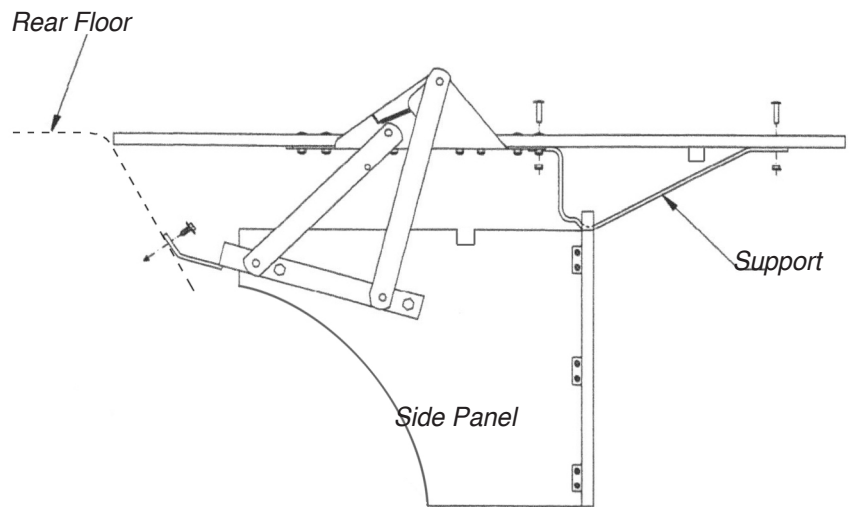
Note: These measurements are for a guide only but can be altered to suit your particular application.

N.B. Whilst every attempt is made to ensure that these instructions are as accurate and clear as possible, we cannot be held responsible for misinterpretation of these instructions or for any subsequent accident or damage caused through mis-fitted parts.

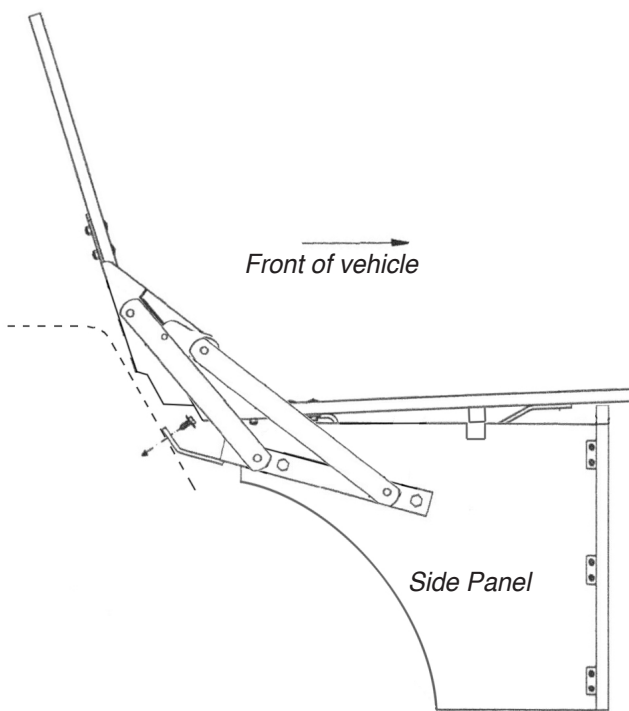
ROCK AND ROLL HINGES

FITS ALL REAR ENGINED TRANSPORTERS FROM 1955

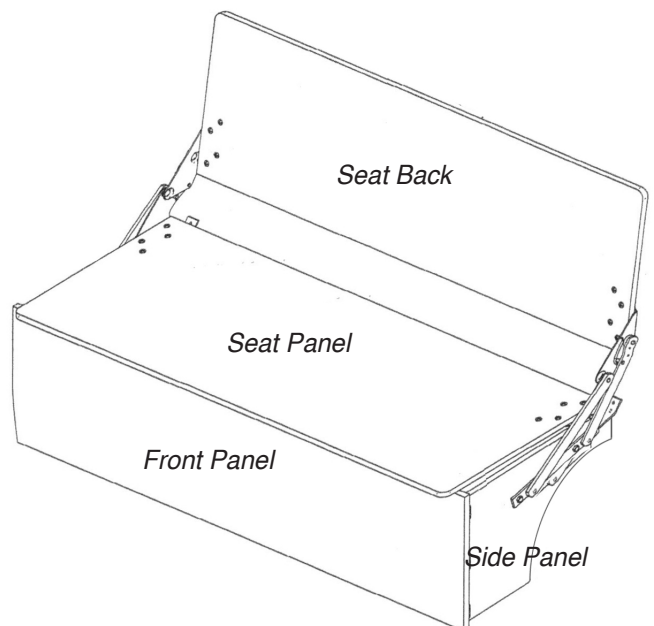
JK part numbers: J11561



In the bed position



In the seating position



N.B. Whilst every attempt is made to ensure that these instructions are as accurate and clear as possible, we cannot be held responsible for misinterpretation of these instructions or for any subsequent accident or damage caused through mis-fitted parts.