

VDO AMMETER GAUGE

FITS ALL 12V VEHICLES

JK Part Numbers: J11545

FITTING GUIDE

NOTE: Before installing the gauge, disconnect the earth terminal from the battery on your vehicle so that you do not create any short-circuits which may result in fire.

1. Choose a location to mount your gauge, allowing enough room at the rear.
2. Drill a hole 52mm in diameter then test the size by inserting your gauge.
3. Secure it from the back, using either the large ring or the clamps, depending on the gauge model supplied.

To wire up the gauge, follow the wiring guidelines shown.

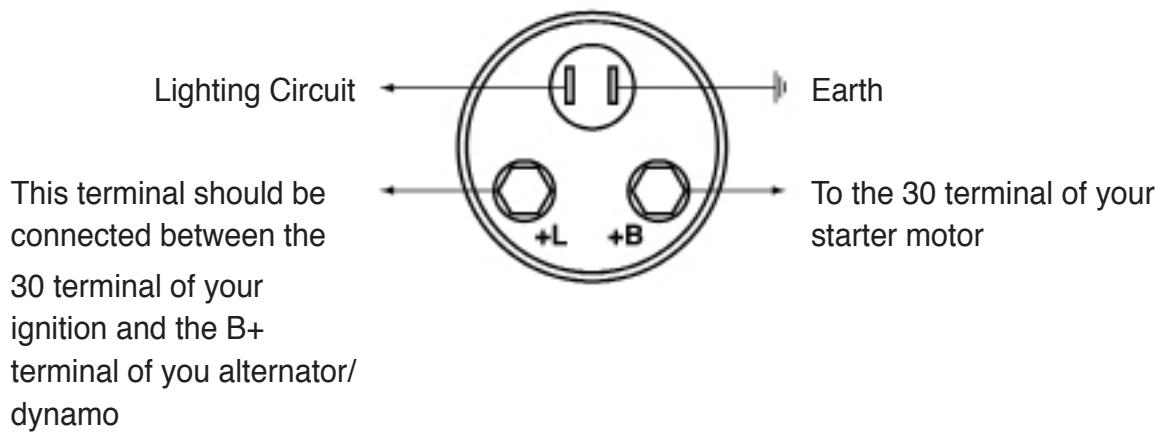
4. Locate the wire that runs between terminal 30 of your ignition and terminal 30 on your starter motor. Remove the wire from the starter motor end and attach to terminal +L on the back of the gauge.
5. Locate the wire that runs between the B+ terminal on your alternator/dynamo and terminal 30 on your starter motor. Remove the wire from the starter motor and attach to terminal +L on the back of the gauge.
6. Run a wire between terminal +B on the back of the gauge to terminal 30 on your starter motor.
7. Run a wire to earth from the remaining terminal.
8. Reconnect your battery.

N.B. Whilst every attempt is made to ensure that these instructions are as accurate and clear as possible, we cannot be held responsible for misinterpretation of these instructions or for any subsequent accident or damage caused through mis-fitted parts.

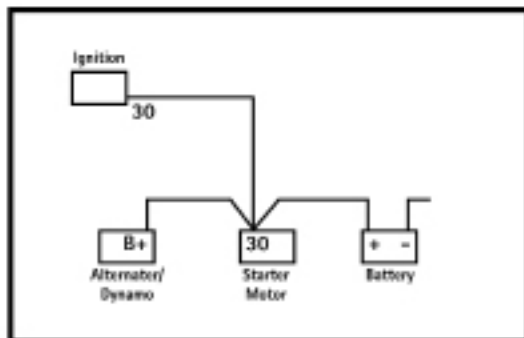
VDO AMMETER GAUGE

FITS ALL 12V VEHICLES

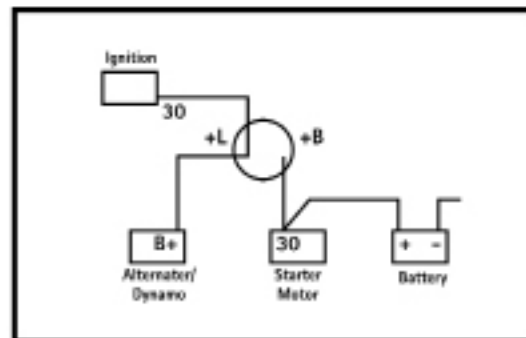
JK Part Numbers: J11545



Prior to installation



After Installation



N.B. Whilst every attempt is made to ensure that these instructions are as accurate and clear as possible, we cannot be held responsible for misinterpretation of these instructions or for any subsequent accident or damage caused through mis-fitted parts.