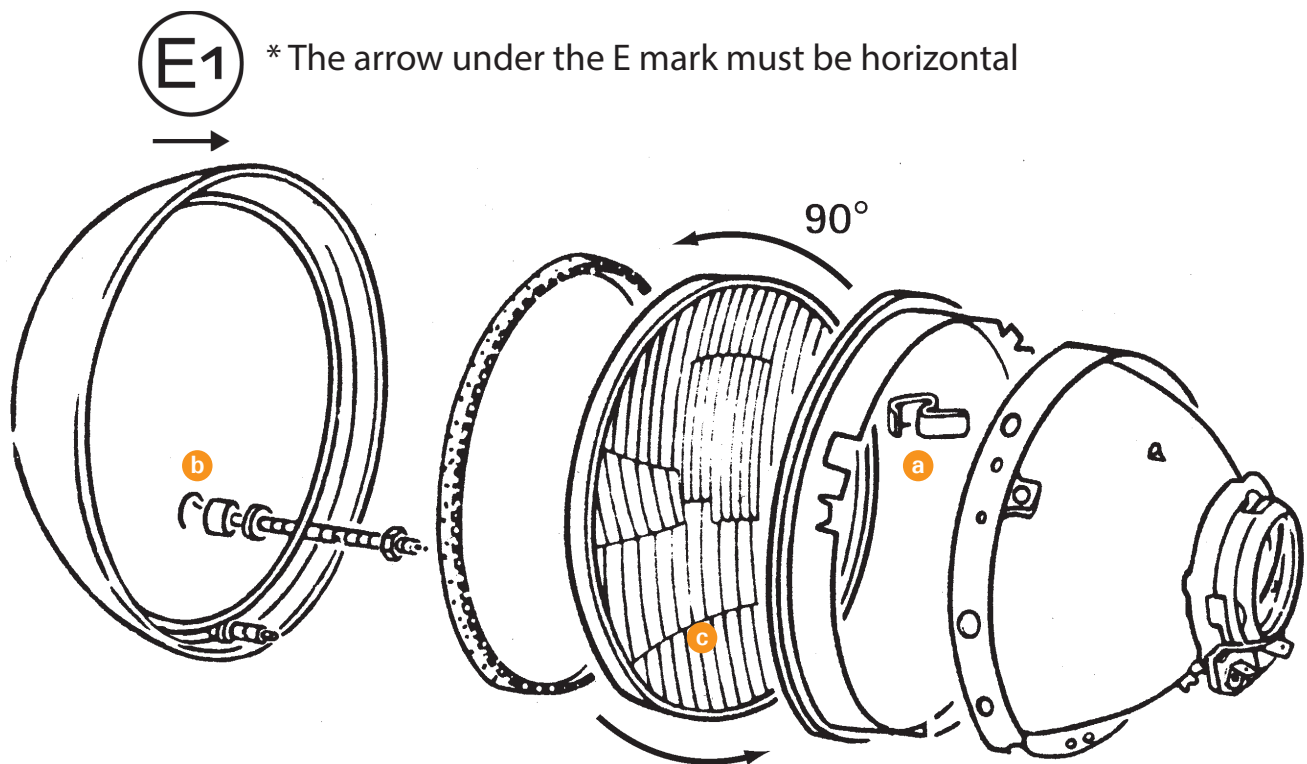


HEADLAMPS

BEETLES AND T2 MODELS AUGUST 1967 - DECEMBER 1972 (RHD ONLY)

JK Part Numbers: J10532

NOTE: Although the headlamp parts for Beetles and Campers are identical, they are now packaged as Beetle headlamps. When you receive your headlamps you must convert these to fit the Type 2.



FITTING GUIDE

1. Firstly, remove the clips (a)
2. Unscrew the adjusting screws (b)
3. Disassemble your headlamp unit and rotate the glass (c) by 90°

NOTE: The arrow by the E mark should be at the bottom of the glass in a horizontal position before reassembling.

N.B. Whilst every attempt is made to ensure that these instructions are as accurate and clear as possible, we cannot be held responsible for misinterpretation of these instructions or for any subsequent accident or damage caused through mis-fitted parts.